

MAC FAUCETS

Tissue Holder, Seat Cover Dispenser



Package Includes

*Toilet Cover Paper
Dispenser
(Stainless Steel)*

Mounting Hardware

*All hardware necessary for
satisfactory installation*

SCD-4

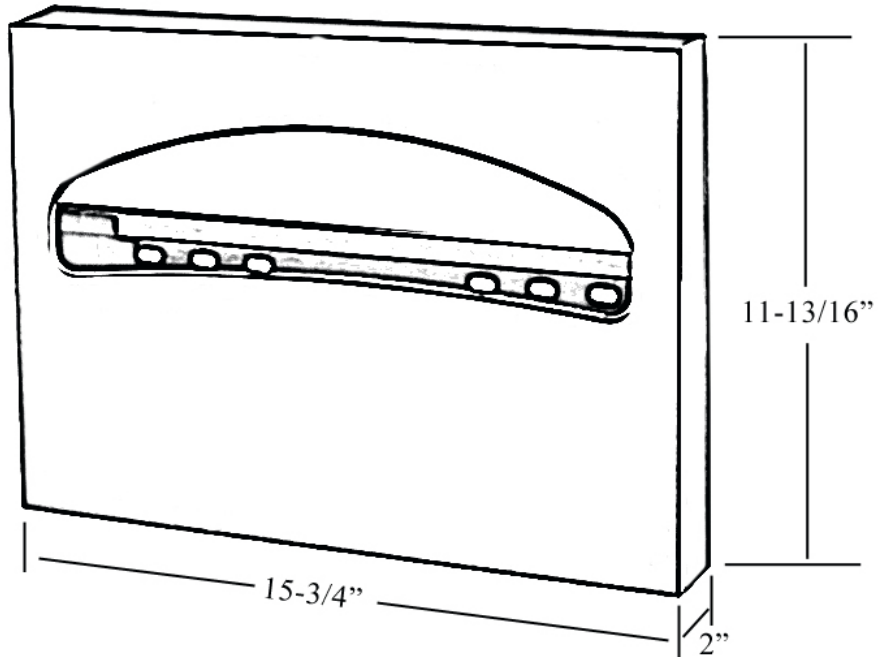


Features:

- **Stainless Steel Construction**
- **Large Capacity Paper Area** (capable of accommodating a large stack of paper and reduce the frequency of replacement)
- **Multiple Holes Design for Easy and Successful Installation**
- **Smooth Arch Design for Safer Contact with Tissue**
- **Available in 20 + Finishes to Match All MAC Product line**

SPECIFICATIONS	
MODEL:	SCD-4
BODY:	STAINLESS STEEL
OPERATION:	MANUAL DISPENSER
DESIGN STYLE	MODERN
MOUNTING:	WALL MOUNT
APPLICATION	PUBLIC OR HOUSEHOLD
FINISHES:	AVAILABLE IN 20+ FINISHES.

All Dimensions in Inches



NOTES: